

DigiSense

DT Digital Detectors



GROUP
Creating Security Solutions
With Care.

© Group 10/2011

5IN1264 D

RTTE Compliance Statement

Risco Ltd. hereby declares that this equipment is in compliance with the essential requirements and other relevant provisions of Directive 1999/5/EC. For the EC Declaration of Conformity please refer to our website: www.riscogroup.com



Digi-412DPT applicable countries (European version):

AT	BE	CY	CZ	DK
DE	FR	FR	GR	GR
HU	IE	IT	LV	LT
LU	MT	NL	PL	PT
SE	SL	ES	SK	GB
BG	RO	TR	CH	NO

Digi-412DPT applicable countries (German Version):

AT, CZ, SL, DE, TR, RU, EE

DigiSense FCC compliance Section (US version):

FCC Part 15 Note:

This equipment has been tested and found to comply with the limits for a Class B digital device, pursuant to Part 15 of the FCC rules. These limits are designed to provide reasonable protection against harmful interference in a residential installation. This equipment generates, uses and can radiate radio frequency energy and, if not installed and used in accordance with the instructions, may cause harmful interference to radio communications.

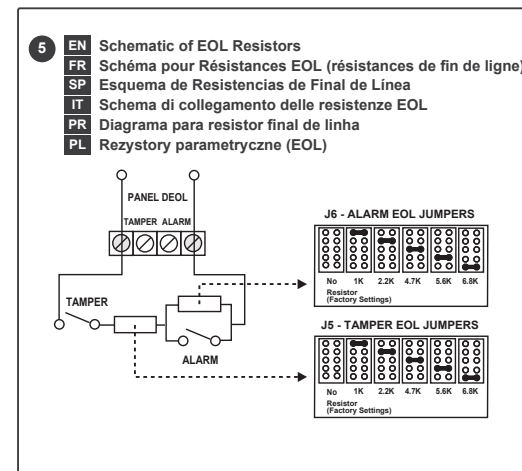
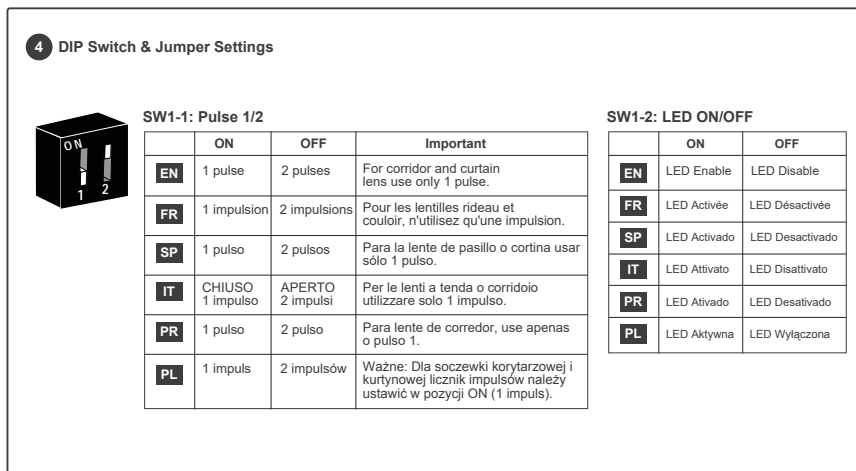
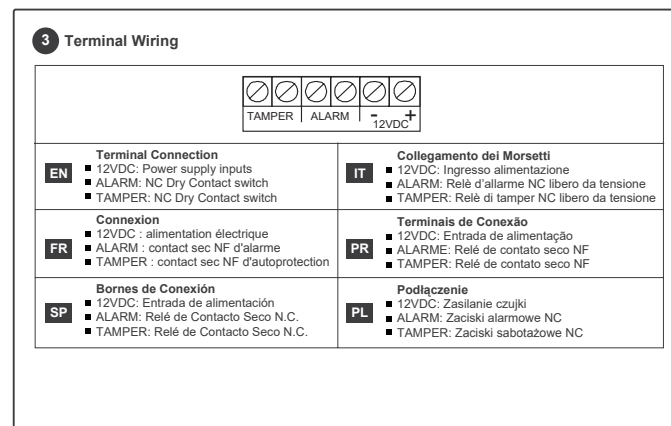
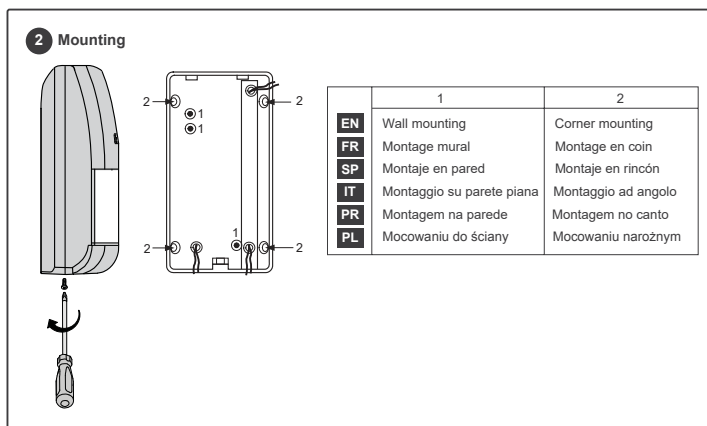
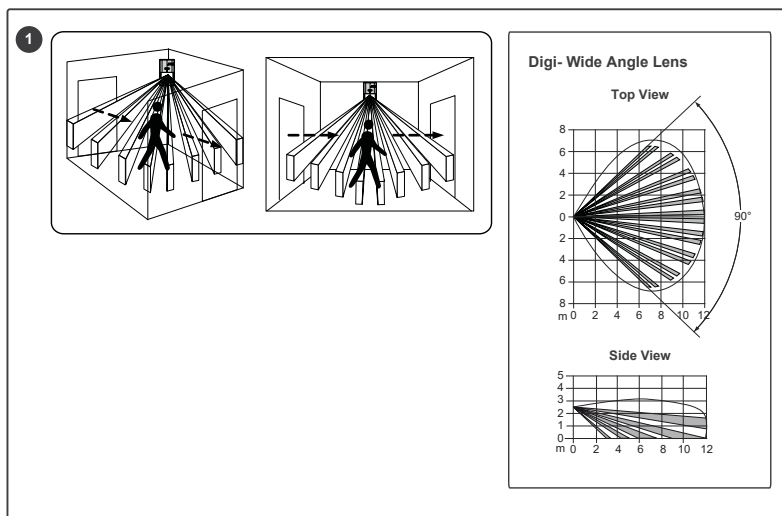
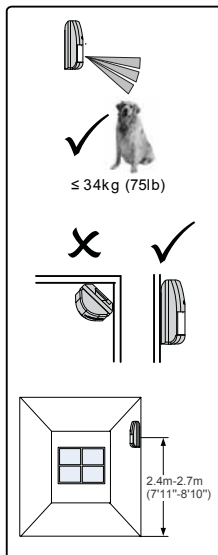
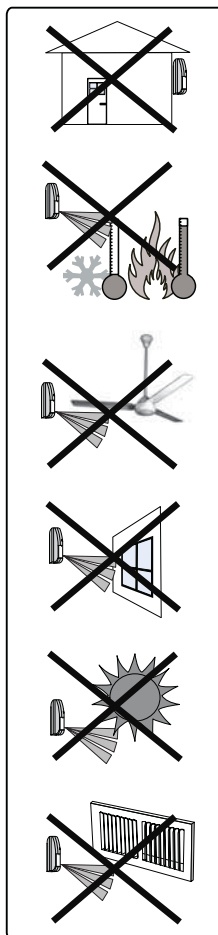
However, there is no guarantee that interference will not occur in a particular installation. If this equipment does cause harmful interference to radio or television reception, which can be determined by turning the equipment off and on, the user is encouraged to try to correct the interference by one or more of the following measures:

- Reorient or relocate the receiving antenna.
- Increase the separation between the equipment and receiver.
- Connect the equipment to an outlet on a circuit different from that to which the receiver is connected.
- Consult the dealer or an experienced radio/TV technician.

FCC Warning:

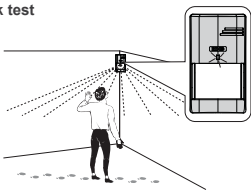
The manufacturer is not responsible for any radio or TV interference caused by unauthorized modifications to this equipment. Such modifications could void the user's authority to operate the equipment.

All rights reserved. No part of this document may be reproduced in any form without prior written permission from the publisher.



Prodotto selezionato collaudato nello stabilimento della Securvera Roma. Garantito a norma di Legge 24 mesi contro difetti e vizi di fabbrica

6 Walk test



EN Walk Test

- Two minutes after applying power (warm-up period), walk test the Detector over the entire protected area to verify proper operation of the unit.
- The MW range can be adjusted by using the potentiometer located on the PCB. (See par. 7).
- It is important to set the potentiometer to the lowest possible setting that will still provide enough coverage for the inner boundary protected area.

FR Test de Marche

- Deux minutes après avoir réalisé la mise sous tension (séquence d'initialisation), faites un test de marche pour vérifier l'efficacité du détecteur sur la totalité de la zone protégée.
- La portée HF doit être réglée à l'aide du potentiomètre situé en bas du PCB. (Voir la sec. 7).
- Il est important de régler le potentiomètre sur le niveau le plus bas possible permettant de couvrir la totalité de la surface de la zone à protéger.

SP Prueba de Detección

- Dos minutos después de dar alimentación (periodo de calentamiento), realice la prueba de detección del Detector por toda el área protegida, a fin de verificar si la unidad está funcionando correctamente.
- El alcance del MW puede ajustarse usando el potenciómetro situado en la PCB. (Ver la sec. 7).
- Es importante ajustar el potenciómetro en la regulación más baja posible que aún proporcione la cobertura suficiente en toda el área a proteger.

IT Prova Di Movimento

- Dopo aver atteso un periodo di riscaldamento di 2/3 minuti dall'alimentazione, effettuare la prova di copertura del rivelatore. Muoversi all'interno dell'area da proteggere e verificare che l'unità si attivi correttamente.
- La portata della microonda può essere regolata mediante il potenziometro situato nella parte inferiore della scheda elettronica. (Vedi la sez. 7)
- È importante regolare il potenziometro al minimo e successivamente variarlo per garantire sufficiente copertura per tutta l'area da proteggere. In ogni caso il potenziometro va tenuto al valore minimo possibile.

PR Teste De Caminhada

- Dois minutos depois ligar a alimentação (período de aquecimento), caminhe para testar o Detector através de toda a área protegida para verificar a correta operação da unidade.
- O alcance de MO pode ser ajustado usando o potenciômetro, que está localizado ao fundo do PCB. (Veja a seção 7)
- É importante colocar o potenciômetro na configuração mais baixa possível, porém que seja o suficiente para cobrir toda a área protegida.

PL Test

- Przed rozpoczęciem testowania załącz pokrętkę czujki. Włącz zasilanie czujki i odczekaj około 2 minuty, aby czujka ustabilizowała się. Przebież po chronionej przestrzeni i obserwuj, czy dioda LED potwierdza prawidłowe działanie czujki na całym żądanym obszarze.
- Zasięg mikrofal MW może być regulowany przy pomocy potencjometru znajdującego się na płytce PCB. (Patrz rozdział 7)
- Ważne jest, aby potencjometr ustawić na najmniejszy możliwy zasięg mikrofal gwarantujący prawidłową pracę czujki wewnątrz chronionego obszaru. Zasięg mikrofal nie może być większy niż żądany obszar chroniony.

LEDs Display

EN		FR		SP		IT		PR		PL	
LED	Description	LED	Description	LED	Description	LED	Descrizione	LED	Descrição	LED	Opis
ORANGE	Indicates PIR detection	ORANGE	Indique une détection IRP	NARANJA	Indica detección del PIR	LED ARANCIONE	Indica rivelazione canale infrarosso	O LED LARANJA	Indica detecção do IVP	POMARAŃCZA	Oznacza detekcję w kanale PIR
GREEN	Indicates MW detection	VERTE	Indique une détection HF	VERDE	Indica detección del MW	LED VERDE	Indica rivelazione canale microonda	O LED VERDE	Indica detecção no canal de MO	ZIELONY	Oznacza detekcję w kanale MW
RED	Indicates ALARM	ROUGE	Indique une alarme (détection simultanée IRP et HF)	ROJO	Indica ALARMA (detección simultánea PIR y MW)	LED ROSSO	Indica l'allarme (rivelazione simultanea del canale infrarosso e di quello microonda)	O LED VERMELHO	Indica alarme (detecção simultânea do IVP e MO)	CZERWONY	Oznacza ALARM

EN Technical Specifications

	412DTPT
Coverage	12m x 12m
Installation height	2.4-2.7m
Pet Immunity	34Kg
Operating voltage	9 to 16 VDC
Current consumption	12mA at 12V
Alarm and Tamper contacts	0.1A, 24V, NC
Optical filtering	White light protection, pigmented lens
Operating temperature	-20° to +55°C
Storage temperature	-20° to +60°C
Dimensions	106 x 60 x 47mm

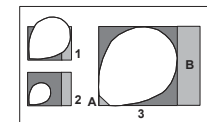
FR Spécification techniques

	412DTPT
Couverture	12m x 12m
Hauteur d'installation	2.4-2.7m
Immunité aux animaux	34Kg
Tension d'alimentation	9 à 16 VCC
Consommation électrique	12mA à 12V
Contacts d'alarme / d'autoprotection	0.1A, 24V, NC
Filtrage	Protection aux lumières blanches, lentilles pigmentées
Température de fonctionnement	-20° à +55°C
Température de stockage	-20° à +60°C
Dimensions	106 x 60 x 47mm

SP Especificaciones Técnicas

	412DTPT
Cobertura	12m x 12m
Altura de Instalación	2.4 -2.7 m
Umbral Anti-Mascotas	34Kg
Voltaje	9 a 16 Vcc
Consumo de corriente	12mA a 12V
Contactos de Alarma y Tamper	0.1A, 24V, NC
Filtro óptico	Protección luz blanca, lente pigmentada
Temperatura de funcionamiento	-20° a +55°C
Temperatura de almacenamiento	-20° a +60°C
Dimensiones	106 x 60 x 47mm

7 Microwave Adjustment



	1	2	3	A	B
EN	Over power	Under power	Correct adjustment according to room size	Detector	Corridor
FR	Trop puissant	Pas assez puissant	Ajustement correct pour la taille de la pièce	Détecteur	Couloir
SP	Potencia excesiva	Potencia insuficiente	Ajuste correcto en función del tamaño de la habitación	Detector	Pasillo
IT	Troppo	Poco	Regolazione corretta in base alla dimensione della stanza	Rivelatore	Corridoio
PR	Alto Alcance	Baixo Alcance	Ajuste Correto de acordo com o tamanho do quarto	Detector	Corredor
PL	Ustawiony zbyt duży zasięg mikrofal	Ustawiony zbyt mały zasięg mikrofal	Ustawienie zasięgu mikrofal odpowiednio do wielkości pomieszczenia	Czujka	Korytarz

IT Specifiche Tecniche

	412DTPT
Copertura	12m x 12m
Altezza di installazione	da 2.4 a 2.7m
Soglia immunità animali (Pet)	34Kg
Tensione nominale di alimentazione	da 9 a 16 Vcc
Assorbimento massimo di corrente	18mA a 12V
Contatti d'allarme / tamper	0.1A, 24V, NC
Filtro Ottico	Lenti pigmentate, protezione luci bianche
Temperatura di funzionamento	da -20° a 55°C
Temperatura di stoccaggio	da -20° a 60°C
Dimensioni	106 x 60 x 47mm

PR Especificações Técnicas

	412DTPT
Cobertura	12m x 12m
Altura de instalação	2.4-2.7m
Limite de imunidade contra animais	34Kg
Tensão de operação	9 até 16 VDC
Consumo de corrente	12mA em 12V
Contactos de alarme / Tamper	NC ,24V ,0.1A
Filtragem	Lentes pigmentadas para Proteção contra luz branca
Temperatura operacional	-20° to + 55°C
Temperatura de armazenamento	-20° to + 60°C
Dimensões	106 x 60 x 47mm

PL Specyfikacja Techniczna

	412DTPT
Zasięg	12m x 12m
Wysokość instalacji	2.4-2.7m
Odporność na zwierzęta	34Kg
Zakres napięć zasilających	9 do 16 VDC
Podór prądu	12mA przy 12V
Zaciski ALARM i TAMPER	0.1A, 24V, NC
Filtr optyczny	Filtr światła białego, barwiona soczewka
Temperatura pracy	-20° to +55°C
Temperatura składowania	-20° to +60°C
Wymiary	106 x 60 x 47mm

Ordering part numbers

Part / Model number	Description
Digi-412DTPT	DigiSense DT PET 12m

Group Limited Warranty

Group and its subsidiaries and affiliates ("Seller") warrants its products to be free from defects in materials and workmanship under normal use for 24 months from the date of production. Because Seller does not install or connect the product and because the product may be used in conjunction with products not manufactured by the Seller, Seller cannot guarantee the performance of the security system which uses this product. Seller's obligation and liability under this warranty is expressly limited to repairing and replacing, at Seller's option, within a reasonable time after the date of delivery, any product not meeting the specifications. Seller makes no other warranty, expressed or implied, and makes no warranty of merchantability or of fitness for any particular purpose.

In no case shall seller be liable for any consequential or incidental damages for breach of this or any other warranty, expressed or implied, or upon any other basis of liability whatsoever.

Seller's obligation under this warranty shall not include any transportation charges or costs of installation or any liability for direct, indirect, or consequential damages or delay. Seller does not represent that its product may not be compromised or circumvented; that the product will prevent any personal injury or property loss by burglary, robbery, fire or otherwise; or that the product will in all cases provide adequate warning or protection.

Seller, in no event shall be liable for any direct or indirect damages or any other losses occurred due to any type of tampering, whether intentional or unintentional such as masking, painting or spraying on the lenses, mirrors or any other part of the detector. Buyer understands that a properly installed and maintained alarm may only reduce the risk of burglary, robbery or fire without warning, but is not insurance or a guaranty that such event will not occur or that there will be no personal injury or property loss as a result thereof.

Consequently seller shall have no liability for any personal injury, property damage or loss based on a claim that the product fails to give warning. However, if seller is held liable, whether directly or indirectly, for any loss or damage arising under this limited warranty or otherwise, regardless of cause or origin, seller's maximum liability shall not exceed the purchase price of the product, which shall be complete and exclusive remedy against seller.

No employee or representative of Seller is authorized to change this warranty in any way or grant any other warranty.

WARNING: This product should be tested at least once a week.

Group Contacting Info

Group is committed to customer service and product support. You can contact us through our website (www.riscogroup.com) or at the following telephone and fax numbers:

UK

Tel: 44-(0)-161-655-5500
E-mail: support-uk@riscogroup.com

ITALY

Tel: +39-0641732941
E-mail: securvera@securvera.it

SPAIN

Tel: +34-91-490-2133
E-mail: support-es@riscogroup.com

FRANCE

Tel: +33-164-73-28-50
E-mail: support-fr@riscogroup.com

BELGIUM

Tel: +32-2522-7622
E-mail: support-be@riscogroup.com

U.S.A

Tel: +1-631-719-4400
E-mail: support-usa@riscogroup.com

BRAZIL

Tel: +55-11-3661-8767
E-mail: support-br@riscogroup.com

CHINA (Shanghai)

Tel: +86-21-52-39-0066
E-mail: support-cn@riscogroup.com

CHINA (Shenzhen)

Tel: +86-755-82789285
E-mail: support-cn@riscogroup.com

POLAND

Tel: +48-22-500-28-40
E-mail: support-pl@riscogroup.com

ISRAEL

Tel: +972-3-963-7777
E-mail: support@riscogroup.com

SECURVERA I.F.A. 00157 ROMA VIA MONTI TIBURTINI 510 A/1 TEL. FAX 0641732990

C.C.I.A. N° 5761 – REG. DITTE 25859 DEL 31-01-1972 – PARTITA IVA 06142341004

Sito <http://www.securvera.it> e-mail: securvera@securvera.it ASSISTENZA NON STOP CELLULARE 3302888886

Antifurto, Antincendio, F.V.C. controllo da LAN e GSM, Automazione cancelli, brevetti avveniristici.